

PUMP ACTION SHOTGUN

RIA
IMPORTS

USERS MANUAL



**WARNING: READ THE INSTRUCTIONS AND
SAFETY PRECAUTIONS IN THIS MANUAL
CAREFULLY BEFORE USING THE FIREARM.**

ROCK ISLAND ARMORY

USERS MANUAL PUMP ACTION SHOTGUN SAFETY, INSTRUCTION AND PARTS MANUAL



As a responsible owner of this firearm, you must read the instructions and warnings in this manual carefully. Before using this firearm, make sure you understand throughly the contents of this manual.

This manual must always be in the firearms carrying case whenever the owner/user brings it or when it transfers ownership. A copy of this manual is available upon request from:



RIA Recommendation For Shotgun Break In Procedures

***Use quality ammo of the correct gauge only. 12GA and 20GA use 2 $\frac{3}{4}$ " and 3", .410 uses 2 $\frac{1}{2}$ " and 3"
Using shorter length ammo (mini shells) may cause feeding problems and longer ammo is unsafe.
Choose the correct choke for the size of shot and type of shot (steel, lead, etc.)***

ARMSCOR PRECISION INTERNATIONAL

150 N Smart Way, Pahrump NV 89060

E-mail: support@armscor.com

TABLE OF CONTENTS

1 Statement of Liability

1 State-By-State Warnings

2 Safety Precautions

3 Important Warnings

HEALTH&SAFETY

4/9 Tech Specs

5/10 Basic Parts

6/11 Exploded Views

ABOUT THE FIREARM

Operating Instructions 7
Disassembling The Shotgun.....7/12
Settings.....8/13

Usage of Choke Tubes 14

Ordering Parts 15

Warranty 16

MAINTENANCE



STATEMENT OF LIABILITY

This shotgun is classified as a firearm or dangerous weapon. It is expressly understood that we assume no liability for its resale or unsafe handling under local laws and regulations. Armscor assumes no responsibility for physical injury or property damage resulting from either intentional or accidental discharge, or for the function of the firearm subjected to influence beyond their control. Armscor will honor no claims which may result from careless handling, unauthorized adjustments, defective or improper ammunition, corrosion or neglect. Examine your firearm carefully at the time of purchase. It should be forwarded immediately to the factory or its sales agent if any adjustment of any kind is required.

State-By-State Warnings



CALIFORNIA STATE WARNING

CHILDREN ARE ATTRACTED TO AND CAN OPERATE FIREARMS THAT CAN CAUSE SEVERE INJURIES OR DEATH. PREVENT CHILD ACCESS BY ALWAYS KEEPING FIREARMS LOCKED AWAY AND UNLOADED WHEN NOT IN USE. IF YOU KEEP A LOADED FIREARM WHERE A CHILD OBTAINS AND IMPROPERLY USES IT, YOU MAY BE FINED OR SENT TO PRISON. IT IS UNLAWFUL TO USE A MAGAZINE WITH A CAPACITY OVER 10 ROUNDS.



MASSACHUSETTS STATE WARNING

IT IS UNLAWFUL TO CARRY ANY MAGAZINE OR BELT WHICH HOLDS MORE THAN TEN ROUNDS, UNLESS AUTHORITY IS GRANTED BY THE BOSTON POLICE COMMISSIONER. IT IS UNLAWFUL TO STORE OR KEEP A FIREARM, RIFLE, SHOTGUN OR MACHINE GUN IN ANY PLACE UNLESS THAT WEAPON IS EQUIPPED WITH A TAMPER RESISTANT SAFETY DEVICE OR IS STORED OR KEPT IN A SECURELY LOCKED CONTAINER.



NEW YORK STATE WARNING

IT IS UNLAWFUL TO CARRY ANY MAGAZINE OR BELT WHICH HOLDS MORE THAN SEVEN ROUNDS, UNLESS AUTHORITY IS GRANTED BY THE STATE OF NEW YORK. THE USE OF A LOCKING DEVICE OR SAFETY LOCK IS ONLY ONE ASPECT OF RESPONSIBLE FIREARMS STORAGE FOR INCREASED SAFETY, FIREARMS SHOULD BE STORED UNLOADED AND LOCKED IN A LOCATION THAT IS BOTH SEPARATED FROM THEIR AMMUNITION AND INACCESSIBLE TO CHILDREN AND OTHER UNAUTHORIZED PERSONS.

02 | SAFETY PRECAUTIONS

Safety must be the first and constant consideration of every person who handles firearms and ammunition. The person with a firearm in his possession has an important responsibility. He/She must know how to use his/her firearm safely:

1. Always keep the muzzle pointed at a safe direction. Watch the muzzle at all times. Never point a gun, accidentally or intentionally, at any person or anything you do not intend to shoot. Identify the target before shooting; do not shoot at sounds.
2. Always treat a gun as if it is loaded – it may be!
3. Keep your finger off the trigger while operating the action and at all other times until you are ready to shoot.
4. Keep the safety “on” or in the “safe” position at all times until you are ready to fire. Do not rely on your gun’s safety, the safety on any gun is a mechanical device and is not intended as a substitute for common sense or safe gun handling.
5. Learn how your gun functions and handles. If you do not thoroughly understand the proper use and care of your gun, seek the advice of someone who is knowledgeable.
6. Do not alter or modify any part of the firearm.
7. Store guns unloaded, separate from any ammunition, and out of the reach of children.
8. Be sure the barrels is clear of any obstructions before loading. Make it a habit to check the barrel every time before loading.
9. Be sure you have and use the proper ammunition.
10. Wear protective shooting glasses, adequate ear protection and gloves when shooting.
11. Never climb or jump over anything, such as a tree, fence, or ditch, with a loaded gun. Open the barrel, remove the shells and hand the gun to someone else or place it on the ground on the other side of the obstacle before crossing it yourself. Do not lean a gun against a tree or other object; it could fall and possibly discharge.
12. Do not shoot at a hard surface or at water. Bullet and shot can ricochet or bounce off and travel in unpredictable directions with great velocity.
13. Never transport a loaded gun. Do not place a loaded gun into a vehicle. The gun should be unloaded and placed into a case when not in use.
14. Never consume intoxicating beverages and/or drugs before or during shooting.

WARNING

DO NOT ATTEMPT TO USE ANY FIREARM WITHOUT HAVING A COMPLETE UNDERSTANDING OF ITS PARTICULAR CHARACTERISTICS AND SAFE USE. READ AND UNDERSTAND THIS MANUAL CAREFULLY BEFORE USAGE OF YOUR SHOTGUN.

WARNING

YOU SHOULD NEVER DEPEND ON A SAFETY MECHANISM OR ANY OTHER MECHANICAL DEVICE TO JUSTIFY CARELESS AND IMPROPER HANDLING.

WARNING

THIS FIREARM WAS MANUFACTURED TO PERFORM PROPERLY WITH THE ORIGINAL PARTS AND MAGAZINES AS DESIGNED. PLEASE MAKE SURE ANY PARTS YOU BUY ARE INSTALLED CORRECTLY AND THAT NEITHER REPLACEMENTS NOR ORIGINALS ARE ALTERED OR CHANGED. PUTTING A FIREARM TOGETHER INCORRECTLY OR WITH MODIFIED PARTS CAN RESULT IN DAMAGED FIREARM, DANGER, AND INJURY OR DEATH. ANY MODIFICATIONS TO FIREARM WILL VOID FACTORY WARRANTY.

03 | SAFETY PRECAUTIONS

WARNING

CHILDREN ARE ATTRACTED TO FIREARMS, AND MIGHT BE ABLE TO OPERATE THEM, THEY CAN CAUSE SEVERE INJURIES AND EVEN DEATH, TO THEMSELVES OR OTHERS. PREVENT CHILDREN FROM ACCESS, ALWAYS KEEP YOUR FIREARMS LOCKED AWAY, UNLOADED AND OUT OF REACH OF CHILDREN WHEN NOT IN USE AT ANY TIME.

WARNING

THE FIREARM SHOULD BE STORED IN ROOMS WITH A DRY ATMOSPHERE AND MINIMUM HUMIDITY. IT SHOULD NOT BE STORED ENCASED IN LEATHER OR ANYTHING THAT WILL ATTRACT AND HOLD MOISTURE, CAUSING IT TO RUST.

WARNING

DO ALL PROCEDURES (DISASSEMBLY, CLEANING AND OTHER MAINTENANCE) ONLY WHEN THE FIREARM IS UNLOADED. BE SURE THAT THE MAGAZINE TUBE, RECEIVER AND CHAMBER ARE EMPTY WHILE YOU ARE PROCEEDING. CHECK EJECTION PORT, LOADING PORT AND CHAMBER VISUALLY.

WARNING

ALL PRODUCTS HAVE 3" (76MM) CHAMBERS (EXEPT OTHERWISE STATED). YOU CAN SEE MARKS ABOUT GAUGES AND CHAMBER LENGTH ON THE GUN. EVERY SHOTGUN HAS PASSED DURABILITY TEST WITH SPECIAL HIGH PRESSURE CARTRIDGES.

WARNING

WHEN STORING THE GUN FOR A PROLONGED PERIOD OF TIME, IT IS NECESSARY TO OIL IT HEAVILY WITH AN ACID-FREE LUBRICANT. THE EXTERNAL PARTS MUST BE COATED WITH AN ANTI-RUST OIL OR GREACE TO PREVENT MOISTURE CAUSING THE PARTS TO RUST AND MALFUNCTION. BEFORE USAGE, THE SHOTGUN MUST BE CLEANED AND WIPED DRY AGAIN.

04 | TECH SPECS

Model	MERIVA / CARINA
Caliber	12 Gauge
Chamber	2 ³ / ₄ / 3"
Action	Pump Action
Capacity	5 Rounds
Choke	Full, Modified and Improved Cylinder
Barrel	Ribbed / Plain
Barrel Length	470mm / 18.5" - 710mm / 28"
Overall Length	920mm / 36.22" - 1160mm / 45.66"
Overall Width	40mm / 1.57"
Overall Height	120mm / 4.72"
Front Sight	Fixed Front
Weight, Empty	2.8 kg / 6.2 lbs
Weight, Loaded	2.98 kg / 6.57 lbs
Finish	Black Anodized / Grey Anodized
Stock	Polymer Buttstock With Rubber Buttpad and Polymer Forend Walnut Buttstock / Walnut forend

CALIBER



05 | BASIC PARTS

P.NO	PART NAME
1	Trigger Guard
2	Hammer Spring
3	Hammer Socket
4	Hammer
5	Hammer pin
6	Safety
7	Safety Socket
8	Safety Spring
9	Safety Pin
10	7 Socket, Takedown Pin
11	D Segment
12	Trigger Spring
13	Trigger
14	Disconnecter Spring
15	Disconnecter Socket
16	Disconnecter
17	Trigger Pin
18	Slide Release Button
19	Slide Release Button Spring
20	Carrier Latch Spring
21	Carrier Latch Socket
22	Carrier
23	Carrier Latch
24	Carrier Latch Pin
25	7 Socket, Carrier Pivot

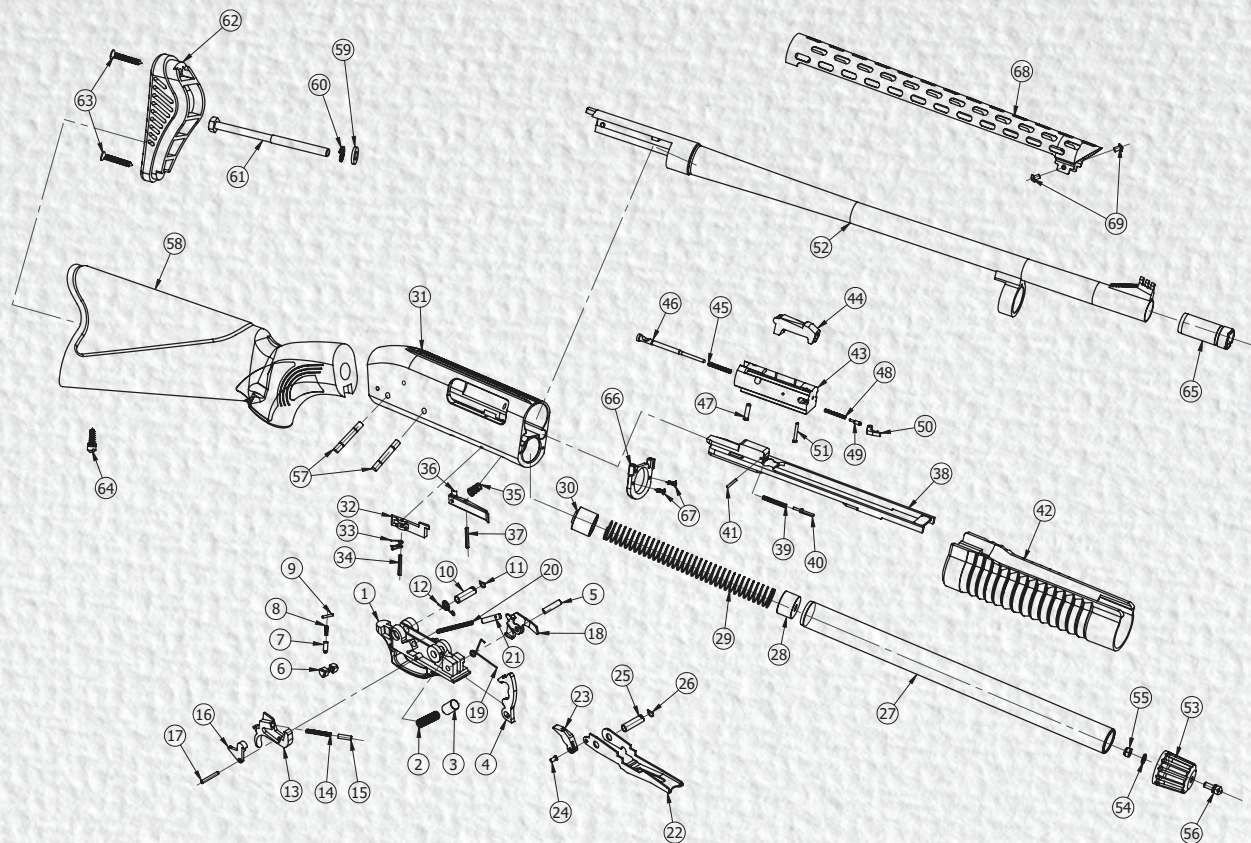
P.NO	PART NAME
26	D Segment
27	Magazine Tube
28	Front Plug
29	Magazine Spring
30	Rear Plug, Magazine Follower
31	Receiver
32	R.H. Shell Stop
33	R.H. Shell Stop Spring
34	R.H. Shell Stop Pin
35	L.H. Shell Stop Spring
36	L.H. Shell Stop
37	Slotted Roll Pin
38	Slide Carrier
39	Pin Spring
40	Pin
41	Connection Pin
42	Forend
43	Bolt
44	Lock
45	Firing Pin Spring
46	Firing Pin
47	Firing Pin Pin
48	Extractor Spring
49	Extractor Pin
50	Extractor

P.NO	PART NAME
51	Extractor Retaining Pin
52	Barrel Assembly*
53	Magazine Tube Cap
54	Sling Swivel Washer
55	M5 Nut
56	Sling Swivel M5 Screw
57	Takedown Pin
58	Stock
59	Stock Connection Washer
60	Spring Washer
61	Stock Bolt
62	Recoil Pad
63	Recoil Pad Screw
64	Sling Swivel Screw
65	Mobile Choke (Optional)
66	Handguard Pivot Nut (Optional)
67	Handguard Pivot Nut Screw (Optional)
68	Heat Shield (Optional)
69	M4 Screw (Optional)

Note: Some models will vary from exploded view.

*Barrel with Barrel Extension, Ejector, Gas Block and Fiber Optic Sight

06 | EXPLODED VIEWS



DISASSEMBLY OF THE FIREARM

1) Remove the magazine cap.



2) Open the action slightly then push the barrel forward and of the receiver.



3) Now you can remove the bolt group, by sliding it to the front.



SETTINGS

1) Push the safety button to SAFE position.



2) Load cartridges into the tube until it reaches its capacity.



3) Push the release latch and cock the firearm by pulling the fore end.



09 | TECH SPECS

Model	ALL GENERATIONS (AG)
Caliber	12 / 20 / .410 Gauge
Chamber	(12/20 Ga.) 2 ³ / ₄ / 3" - (.410 Ga.) 2 ¹ / ₂ / 3"
Action	Pump Action
Capacity	5 Rounds
Choke	Full, Modified and Improved Cylinder
Barrel	Ribbed / Plain
Barrel Length	470mm / 18.5" - 710mm / 28"
Overall Length	920mm / 36.22" - 1160mm / 45.66"
Overall Width	40mm / 1.57"
Overall Height	120mm / 4.72"
Front Sight	Fixed Front
Weight, Empty	2.8 kg / 6.2 lbs
Weight, Loaded	2.98 kg / 6.57 lbs
Finish	Black Anodized / Grey Anodized
Stock	Polymer Buttstock With Rubber Buttpad and Polymer Forend Walnut Buttstock / Walnut forend

CALIBER



10 | BASIC PARTS

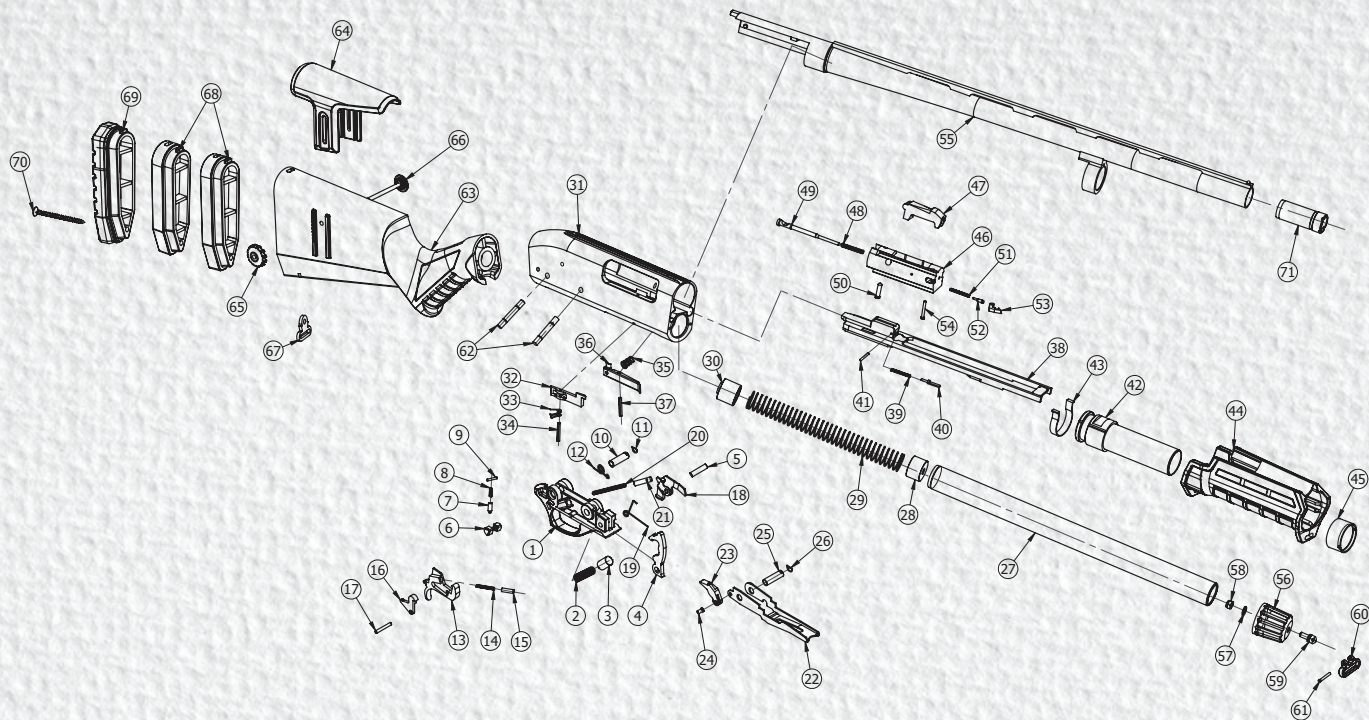
P.NO	PART NAME
1	Trigger Guard
2	Hammer Spring
3	Hammer Socket
4	Hammer
5	Hammer pin
6	Safety
7	Safety Socket
8	Safety Spring
9	Safety Pin
10	7 Socket
11	D Segment
12	Trigger Spring
13	Trigger
14	Disconnecter Spring
15	Disconnecter Socket
16	Disconnecter
17	Trigger Pin
18	Side Button
19	Ejector Spring
20	Carrier Latch Spring
21	Carrier Latch Socket
22	Carrier
23	Carrier Latch
24	Carrier Latch Pin
25	7 Socket

P.NO	PART NAME
26	D Segment
27	Magazine Tube
28	Front Plug
29	Magazine Spring
30	Rear Plug
31	Receiver
32	Ejector Tube
33	Bolt Button Spring
34	Slotted Spring Pin
35	Follower Tube Spring
36	Follower Tube
37	Slotted Spring Pin
38	Slide Carrier
39	Pin Spring
40	Pin
41	Connection Pin
42	Slide Extension
43	Slide Extension Ring
44	Forend
45	Slide Extension Nut
46	Bolt
47	Lock
48	Firing Pin Spring
49	Firing Pin
50	Firing Pin Pin

P.NO	PART NAME
51	Extractor Spring
52	Extractor Pin
53	Extractor
54	Extractor Fixing Pin
55	Barrel Assembly*
56	Magazine Tube Cap
57	Sling Swivel Washer
58	M5 Nut
59	Sling Swivel M5 Screw
60	Magazine Tube Cap Sling Swivel
61	Sling Swivel Rivet
62	Takedown Pin
63	Stock
64	Cheekpad
65	Cheekpad Nut
66	Cheekpad screw
67	Sling Swivel
68	Recoil Pad Extension
69	Recoil Pad
70	Recoil Pad Screw
71	Mobile Choke

Note: Some models will vary from exploded view.
 *Barrel Extension + Ejector + Gas Block + Bead Sight

11 | EXPLODED VIEWS



DISASSEMBLY OF THE FIREARM

1) Remove the magazine cap.



2) Open the action slightly then push the barrel forward and of the receiver.



3) Now you can remove the bolt group, by sliding it to the front.



13 | OPERATING INSTRUCTIONS

SETTINGS

1) Push the safety button to SAFE position.



2) Load cartridges into the tube until it reaches its capacity.



3) Push the release latch and cock the firearm by pulling the forend.



Set the cheekpad to your favoured position by turning the adjuster.






Unscrew the screws to remove the recoil pad and to unlock the spacers. You can adjust the length of the buttstock by adding or removing the spacers.



USAGE OF CHOKE TUBES

The choke is what controls the openness or tightness of the pattern of your shotgun. The chart below lists the choke available (from open to tight), and the corresponding marks that indicate the choke of your specific shotgun for guns with mobile choke tubes.

MARKING	USAGE OF CHOKE TUBES		NOTCHES
*	FULL	Suitable for longer ranges (DON'T USE SLUGS!)	
***	MODIFIED	Suitable for medium ranges (DON'T USE SLUGS!)	
*****	CYLINDER	Suitable for short ranges	

The threads of the choke tube and the internal threads of the barrel should be cleaned after each use and before installation of the tube.

To install a tube, insert the tube into the barrel and tighten with your fingers. Once the tube is finger-tightened, tighten with the appropriate choke-tube wrench until the tube is snug. DO NOT over tighten or forcefully tighten with wrench.

ORDERING PARTS

Visit RIA website to browse, learn more about and purchase parts and ammunition for all of your Rock Island Armory products.



www.advancedtactical.com



ARMSCORPRECISION



ARMSCORPRECISION



ROCKISLANDARMORY



ARMSCORRIA

WARRANTY REGISTRATION

Armcor's warranty covers its firearms and parts. We offer limited lifetime warranty on our products for their intended purpose. As with any product, abuse, gunsmithing by an unqualified person and normal wear and tear are excluded. Additionally, if the firearm was modified and/or repaired by an unqualified gunsmith without permission from Armcor, then the warranty will be void. If warranty work should be required, return the firearm to the address listed below. There is no refund for the shipping cost. Gunsmithing services are available by registered Armcor Gunsmithers. Please email the address below.

To register your firearm, please go to www.rockislandarmory.com/support-center/warranty/ and complete online warranty form. In comments section, write warranty registration and press submit. You can also go to www.rockislandarmory.com and press warranty section at the bottom.

Armcor Precision International
150 North Smart Way
Pahrump, NV 89060
Email: support@armcor.com

For more information on warranty, visit www.rockislandarmory.com, or email support@armcor.com

IMPORTANT WARRANTY INFORMATION

Our Rock Island Armory shotguns are warranted to function only with Factory Ammo and the Original Factory Magazine. Use of Handloads is not covered in Warranty of Repair for the function of the Firearm.

DUE TO THE FIT AND TIGHTNESS OF FIREARM, RIA RECOMMENDS A BREAK-IN PERIOD OF 500 ROUNDS.

THIS IS HOW YOU VOID YOUR WARRANTY

- * Refinishing your RIA firearm
- * Misuse, Mishandling, Dropping your RIA Firearm
- * Firing Remanufactured or Reloaded Ammunition
- * Not properly reassembling your RIA Firearm resulting in damage, ie reverse plugs!
- * Any addition of after market parts
- * Unauthorized repairs done by any other than Rock Island Armory

LIMITS ON WARRANTY (will not cover)

- * Finish, Holster wear, Scratches, Chemical damage
- * After Market Magazines
- * Damage to Factory Magazines
- * Sights not installed by Rock Island Armory
- * Recoil Springs

WE RESERVE THE RIGHT TO CHARGE FOR LABOR, PARTS AND SHIPPING TO RETURN YOUR RIA FIREARM BACK TO FACTORY SPECIFICATIONS IF IT HAS BEEN ALTERED.

RIA

IMPORTS

WWW.ROCKISLANDARMORY.COM

