

LEVER ACTION



USERS MANUAL



WARNING: READ THE INSTRUCTIONS AND SAFETY PRECAUTIONS IN THIS MANUAL CAREFULLY BEFORE USING THE FIREARM.

ROCK ISLAND ARMORY

USERS MANUAL LEVER ACTION SAFETY, INSTRUCTION AND PARTS MANUAL



As a responsible owner of this firearm, you must read the instructions and warnings in this manual carefully. Before using this firearm, make sure you understand thoroughly the contents of this manual.

This manual must always be in the firearms carrying case whenever the owner/user brings it or when it transfers ownership. A copy of this manual is available upon request from:

ARMSCOR PRECISION INTERNATIONAL
150 N Smart Way, Pahrump NV 89060
E-mail: support@armscor.com

TABLE OF CONTENTS

1 Statement of Liability

1 State-By-State Warnings

2 Safety Precautions

3 Important Warnings

HEALTH&SAFETY

4 Tech Specs

5 Basic Parts

6 Exploded View

ABOUT THE FIREARM

Operating Instructions 7-8-9

Usage of Choke Tubes 10

Ordering Parts 11

Warranty 12

MAINTENANCE



STATEMENT OF LIABILITY

This shotgun is classified as a firearm or dangerous weapon. It is expressly understood that we assume no liability for its resale or unsafe handling under local laws and regulations. Armscor assumes no responsibility for physical injury or property damage resulting from either intentional or accidental discharge, or for the function of the firearm subjected to influence beyond their control. Armscor will honor no claims which may result from careless handling, unauthorized adjustments, defective or improper ammunition, corrosion or neglect. Examine your firearm carefully at the time of purchase. It should be forwarded immediately to the factory or its sales agent if any adjustment of any kind is required.

State-By-State Warnings



CALIFORNIA STATE WARNING

CHILDREN ARE ATTRACTED TO AND CAN OPERATE FIREARMS THAT CAN CAUSE SEVERE INJURIES OR DEATH. PREVENT CHILD ACCESS BY ALWAYS KEEPING FIREARMS LOCKED AWAY AND UNLOADED WHEN NOT IN USE. IF YOU KEEP A LOADED FIREARM WHERE A CHILD OBTAINS AND IMPROPERLY USES IT, YOU MAY BE FINED OR SENT TO PRISON. IT IS UNLAWFUL TO USE A MAGAZINE WITH A CAPACITY OVER 10 ROUNDS.



MASSACHUSETTS STATE WARNING

IT IS UNLAWFUL TO CARRY ANY MAGAZINE OR BELT WHICH HOLDS MORE THAN TEN ROUNDS, UNLESS AUTHORITY IS GRANTED BY THE BOSTON POLICE COMMISSIONER. IT IS UNLAWFUL TO STORE OR KEEP A FIREARM, RIFLE, SHOTGUN OR MACHINE GUN IN ANY PLACE UNLESS THAT WEAPON IS EQUIPPED WITH A TAMPER RESISTANT SAFETY DEVICE OR IS STORED OR KEPT IN A SECURELY LOCKED CONTAINER.



NEW YORK STATE WARNING

IT IS UNLAWFUL TO CARRY ANY MAGAZINE OR BELT WHICH HOLDS MORE THAN SEVEN ROUNDS, UNLESS AUTHORITY IS GRANTED BY THE STATE OF NEW YORK. THE USE OF A LOCKING DEVICE OR SAFETY LOCK IS ONLY ONE ASPECT OF RESPONSIBLE FIREARMS STORAGE FOR INCREASED SAFETY, FIREARMS SHOULD BE STORED UNLOADED AND LOCKED IN A LOCATION THAT IS BOTH SEPARATED FROM THEIR AMMUNITION AND INACCESSIBLE TO CHILDREN AND OTHER UNAUTHORIZED PERSONS.

02 | SAFETY PRECAUTIONS

Safety must be the first and constant consideration of every person who handles firearms and ammunition. The person with a firearm in his possession has an important responsibility. He/She must know how to use his/her firearm safely:

1. Always keep the muzzle pointed at a safe direction. Watch the muzzle at all times. Never point a gun, accidentally or intentionally, at any person or anything you do not intend to shoot. Identify the target before shooting; do not shoot at sounds.
2. Always treat a gun as if it is loaded – it may be!
3. Keep your finger off the trigger while operating the action and at all other times until you are ready to shoot.
4. Keep the safety “on” or in the “safe” position at all times until you are ready to fire. Do not rely on your gun’s safety, the safety on any gun is a mechanical device and is not intended as a substitute for common sense or safe gun handling.
5. Learn how your gun functions and handles. If you do not thoroughly understand the proper use and care of your gun, seek the advice of someone who is knowledgeable.
6. Do not alter or modify any part of the firearm.
7. Store guns unloaded, separate from any ammunition, and out of the reach of children.
8. Be sure the barrels is clear of any obstructions before loading. Make it a habit to check the barrel every time before loading.
9. Be sure you have and use the proper ammunition.
10. Wear protective shooting glasses, adequate ear protection and gloves when shooting.
11. Never climb or jump over anything, such as a tree, fence, or ditch, with a loaded gun. Open the barrel, remove the shells and hand the gun to someone else or place it on the ground on the other side of the obstacle before crossing it yourself. Do not lean a gun against a tree or other object; it could fall and possibly discharge.

12. Do not shoot at a hard surface or at water. Bullet and shot can ricochet or bounce off and travel in unpredictable directions with great velocity.

13. Never transport a loaded gun. Do not place a loaded gun into a vehicle. The gun should be unloaded and placed into a case when not in use.

14. Never consume intoxicating beverages and/or drugs before or during shooting.

WARNING

DO NOT ATTEMPT TO USE ANY FIREARM WITHOUT HAVING A COMPLETE UNDERSTANDING OF ITS PARTICULAR CHARACTERISTICS AND SAFE USE. READ AND UNDERSTAND THIS MANUAL CAREFULLY BEFORE USAGE OF YOUR SHOTGUN.

WARNING

YOU SHOULD NEVER DEPEND ON A SAFETY MECHANISM OR ANY OTHER MECHANICAL DEVICE TO JUSTIFY CARELESS AND IMPROPER HANDLING.

WARNING

THIS FIREARM WAS MANUFACTURED TO PERFORM PROPERLY WITH THE ORIGINAL PARTS AND MAGAZINES AS DESIGNED. PLEASE MAKE SURE ANY PARTS YOU BUY ARE INSTALLED CORRECTLY AND THAT NEITHER REPLACEMENTS NOR ORIGINALS ARE ALTERED OR CHANGED. PUTTING A FIREARM TOGETHER INCORRECTLY OR WITH MODIFIED PARTS CAN RESULT IN DAMAGED FIREARM, DANGER, AND INJURY OR DEATH. ANY MODIFICATIONS TO FIREARM WILL VOID FACTORY WARRANTY.

03 | IMPORTANT WARNINGS

WARNING

CHILDREN ARE ATTRACTED TO FIREARMS, AND MIGHT BE ABLE TO OPERATE THEM, THEY CAN CAUSE SEVERE INJURIES AND EVEN DEATH, TO THEMSELVES OR OTHERS. PREVENT CHILDREN FROM ACCESS, ALWAYS KEEP YOUR FIREARMS LOCKED AWAY, UNLOADED AND OUT OF REACH OF CHILDREN WHEN NOT IN USE AT ANY TIME.

WARNING

THE FIREARM SHOULD BE STORED IN ROOMS WITH A DRY ATMOSPHERE AND MINIMUM HUMIDITY. IT SHOULD NOT BE STORED ENCASED IN LEATHER OR ANYTHING THAT WILL ATTRACT AND HOLD MOISTURE, CAUSING IT TO RUST.

WARNING

DO ALL PROCEDURES (DISASSEMBLY, CLEANING AND OTHER MAINTENANCE) ONLY WHEN THE FIREARM IS UNLOADED. BE SURE THAT THE MAGAZINE TUBE, RECEIVER AND CHAMBER ARE EMPTY WHILE YOU ARE PROCEEDING. CHECK EJECTION PORT, LOADING PORT AND CHAMBER VISUALLY.

WARNING

ALL PRODUCTS HAVE 3" (76MM) CHAMBERS (EXEPT OTHERWISE STATED). YOU CAN SEE MARKS ABOUT GAUGES AND CHAMBER LENGTH ON THE GUN. EVERY SHOTGUN HAS PASSED DURABILITY TEST WITH SPECIAL HIGH PRESSURE CARTRIDGES.

WARNING

WHEN STORING THE GUN FOR A PROLONGED PERIOD OF TIME, IT IS NECESSARY TO OIL IT HEAVILY WITH AN ACID-FREE LUBRICANT. THE EXTERNAL PARTS MUST BE COATED WITH AN ANTI-RUST OIL OR GREACE TO PREVENT MOISTURE CAUSING THE PARTS TO RUST AND MALFUNCTION. BEFORE USAGE, THE SHOTGUN MUST BE CLEANED AND WIPED DRY AGAIN.

04 | TECH SPECS

| | |
|----------------|---|
| Model | LEVER ACTION |
| Caliber | .410 Gauge |
| Chamber | 2 ^{3/4} (Not suitable for magnum shells) |
| Action | Lever Action |
| Capacity | 5+1 Rounds |
| Choke | Full, Modified and Improved Cylinder |
| Barrel | Contoured |
| Barrel Length | 500mm / 20" |
| Overall Length | 1080mm / 42.5" |
| Overall Width | 40mm / 1.57" |
| Overall Height | 120mm / 4.72" |
| Front Sight | Fixed Front |
| Weight, Empty | 3 kg / 6.6 lbs |
| Weight, Loaded | 3.2 kg / 7 lbs |
| Finish | Black |
| Stock | Walnut / Synthetic |

CALIBER



05 | BASIC PARTS

| P.NO | PART NAME |
|------|------------------------------|
| 1 | Barrel Assembly ¹ |
| 2 | Front Sight |
| 3 | Front Sight Screw |
| 4 | Back Sight |
| 5 | Back Sight Screw |
| 6 | Back Sight Pin |
| 7 | Back Sight Spring |
| 8 | Screw Cap |
| 9 | Bolt |
| 10 | Hammer Screw |
| 11 | Hammer |
| 12 | Hammer Plate |
| 13 | Hammer Spring |
| 14 | Hammer Spring Cap |
| 15 | Stock w/ Recoil Pad |
| 16 | Trigger Guard |
| 17 | Carrier |
| 18 | Carrier Retaining Screw |
| 19 | Lever |
| 20 | Lever Pin |
| 21 | Forend |
| 22 | Magazine Tube |
| 23 | Magazine Tube Spring |
| 24 | Front Plug |
| 25 | Back Plug |

| P.NO | PART NAME |
|------|----------------------|
| 26 | Cap Screw |
| 27 | Cap |
| 28 | Right Feed Lever |
| 29 | Left Feed Lever |
| 30 | Carrier Spring |
| 31 | Carrier Spring Screw |

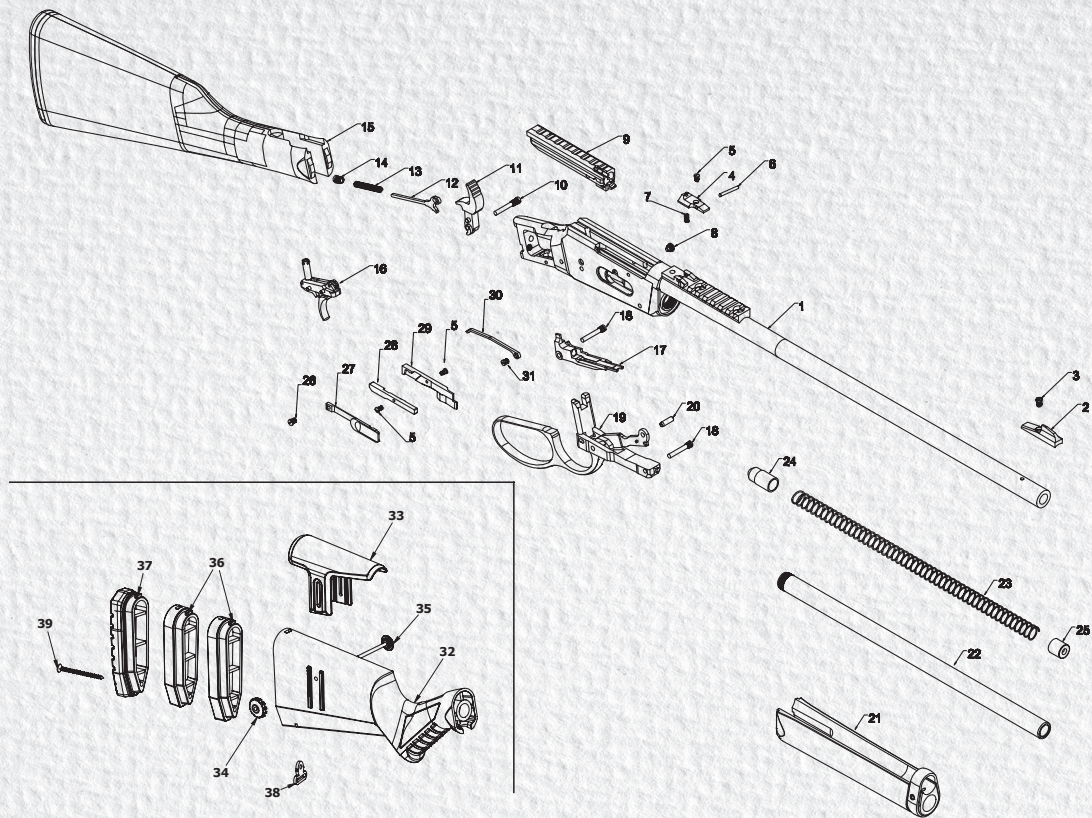
| P.NO | PART NAME (Synthetic version) |
|------|-------------------------------|
| 32 | Stock |
| 33 | Cheekpad |
| 34 | Cheekpad Nut |
| 35 | Cheekpad Screw |
| 36 | Recoil Pad Extension |
| 37 | Recoil Pad |
| 38 | Sling Swivel |
| 39 | Recoil Pad Screw |

Note:

Some models will vary from exploded view.

¹Barrel, Receiver and Picatinny Rail

06 | EXPLODED VIEW



LOADING THE FIREARM

1) Insert proper cartridges in to the magazine tube by pushing to the loading cap.

2) Push the last round with the little finger.



3) Pull the lever down, this action forces the firing pin and bolt backwards and a cartridge will lift up into the chamber.

4) Close the lever.



UNLOADING THE FIREARM

1) Pull the lever down, If there's an empty cartridge in the chamber, it will eject.



SAFETY SYSTEM

- 1) When the lever is pulled down, the safety is in position.
- 2) If the lever isn't closed completely the safety will be on.



- 3) When the lever is completely closed, the lever will push the safety and changes it to off position.

- 4) Pull the trigger and drop the hammer slowly by keeping it with your thumb finger. (Release the trigger by taking the finger completely off of it as the hammer beginning to be lowered)



CLEANING THE FIREARM

Lubricate the Slide from both sides.

Clean and lubricate the slide channels.

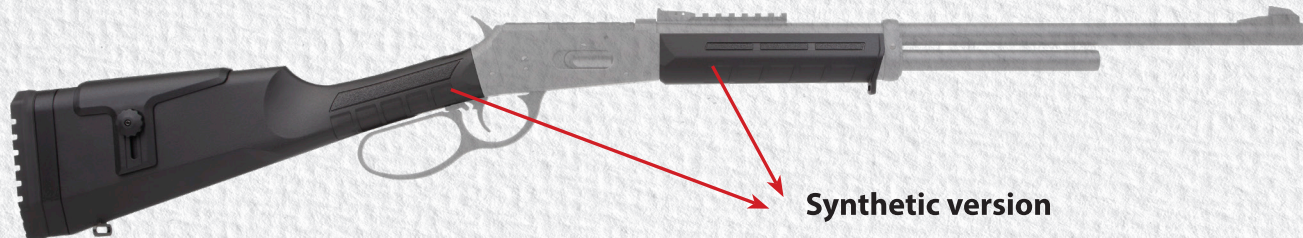
Drip an oil to the trigger system as shown.



Lubricate the carrier and trigger guard plate

Clean and lubricate the loading cap.




Clean the bore of the barrel by using a cleaning rod.



Synthetic version

USAGE OF CHOKE TUBES

The choke is what controls the openness or tightness of the pattern of your shotgun. The chart below lists the choke available (from open to tight), and the corresponding marks that indicate the choke of your specific shotgun for guns with mobile choke tubes.

| MARKING | USAGE OF CHOKE TUBES | | NOTCHES |
|---------|----------------------|---|---|
| * | FULL | Suitable for longer ranges (DON'T USE SLUGS!) |  |
| *** | MODIFIED | Suitable for medium ranges (DON'T USE SLUGS!) |  |
| ***** | CYLINDER | Suitable for short ranges |  |

The threads of the choke tube and the internal threads of the barrel should be cleaned after each use and before installation of the tube.

To install a tube, insert the tube into the barrel and tighten with your fingers. Once the tube is finger-tightened, tighten with the appropriate choke-tube wrench until the tube is snug. DO NOT over tighten or forcefully tighten with wrench.

ORDERING PARTS

Visit RIA website to browse, learn more about and purchase parts and ammunition for all of your Rock Island Armory products.



www.advancedtactical.com



ARMSCORPRECISION



ARMSCORPRECISION



ROCKISLANDARMORY



ARMSCORRIA

WARRANTY REGISTRATION

Armcor's warranty covers its firearms and parts. We offer limited lifetime warranty on our products for their intended purpose. As with any product, abuse, gunsmithing by an unqualified person and normal wear and tear are excluded. Additionally, if the firearm was modified and/or repaired by an unqualified gunsmith without permission from Armcor, then the warranty will be void. If warranty work should be required, return the firearm to the address listed below. There is no refund for the shipping cost. Gunsmithing services are available by registered Armcor Gunsmithers. Please email the address below.

To register your firearm, please go to www.rockislandarmory.com/support-center/warranty/ and complete online warranty form. In comments section, write warranty registration and press submit. You can also go to www.rockislandarmory.com and press warranty section at the bottom.

Armcor Precision International
150 North Smart Way
Pahrump, NV 89060
Email: support@armcor.com

For more information on warranty, visit www.rockislandarmory.com, or email support@armcor.com

IMPORTANT WARRANTY INFORMATION

Our Rock Island Army shotguns are warranted to function only with Factory Ammo and the Original Factory Magazine. Use of Handloads is not covered in Warranty of Repair for the function of the Firearm.

DUE TO THE FIT AND TIGHTNESS OF FIREARM, RIA RECOMMENDS A BREAK-IN PERIOD OF 500 ROUNDS.

THIS IS HOW YOU VOID YOUR WARRANTY

- * Refinishing your RIA firearm
- * Misuse, Mishandling, Dropping your RIA Firearm
- * Firing Remanufactured or Reloaded Ammunition
- * Not properly reassembling your RIA Firearm resulting in damage, ie reverse plugs!
- * Any addition of after market parts
- * Unauthorized repairs done by any other than Rock Island Army

LIMITS ON WARRANTY (will not cover)

- * Finish, Holster wear, Scratches, Chemical damage
- * After Market Magazines
- * Damage to Factory Magazines
- * Sights not installed by Rock Island Army
- * Recoil Springs

WE RESERVE THE RIGHT TO CHARGE FOR LABOR, PARTS AND SHIPPING TO RETURN YOUR RIA FIREARM BACK TO FACTORY SPECIFICATIONS IF IT HAS BEEN ALTERED.

RIA

IMPORTS

WWW.ROCKISLANDARMORY.COM

08/2022